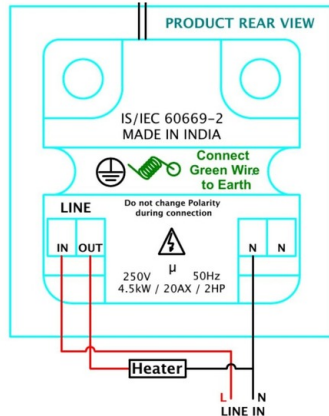


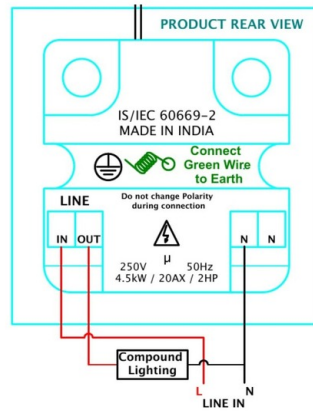
### Safety Instructions:

- Read instructions sheet and caution stickers thoroughly before installation.
- Go through installation videos to clearly understand the application.
- Use qualified Electricians for connections.
- Use proper insulated tools.
- You are working with Mains supply. Ensure power is shut off at source before work.
- Maintain polarity while making connections.
- Do not connect 9V / 5V DC output wires into AC Mains.
- This product is not meant for outdoor applications.
- If provided, Earth wire must be connected properly.

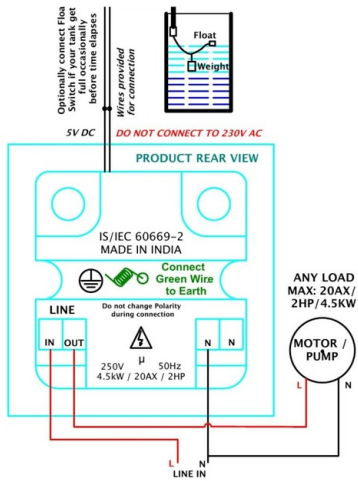
#### ① CIRCUIT DIAGRAM - FOR HEATER



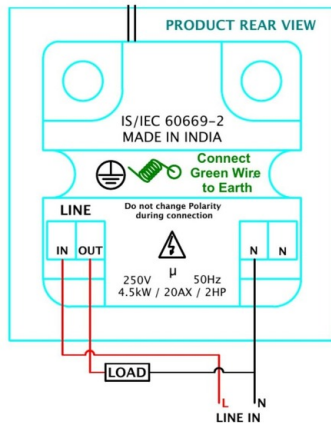
#### ② CIRCUIT DIAGRAM FOR Compound Lighting / Street Lighting



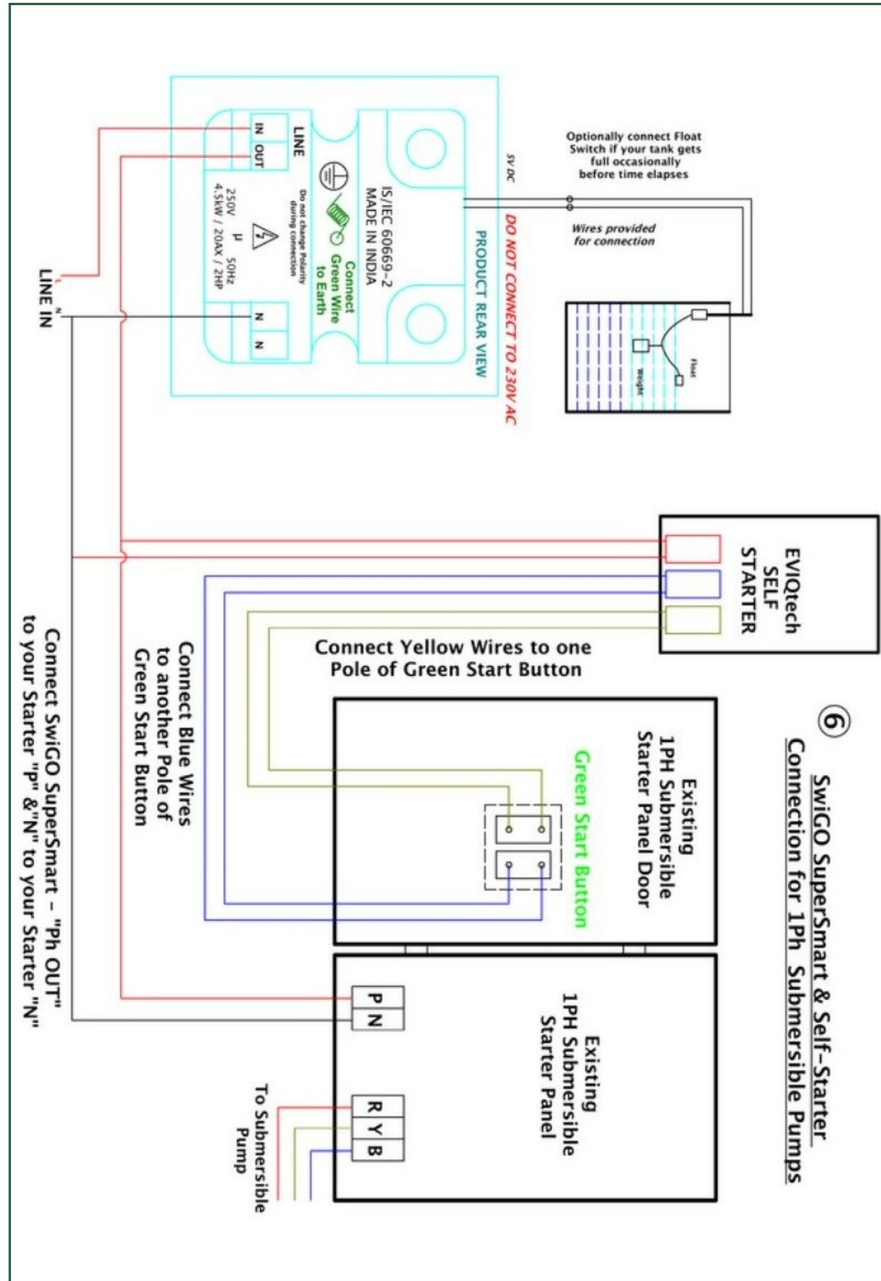
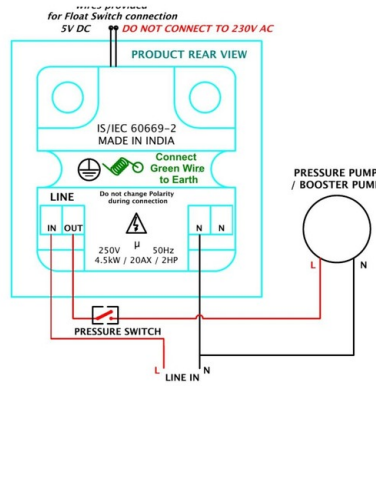
#### ③ CIRCUIT DIAGRAM - WITH SUMP / MONOBLOC - 1PH PUMPS



#### ④ CIRCUIT DIAGRAM - FOR ENERGY METER



#### ⑤ CIRCUIT DIAGRAM - PRESSURE PUMP BOOSTER PUMP CONTROL (SLAVE)



#### ⑥ SwiGO SuperSmart & Self-Starter Connection for 1PH Submersible Pumps

Scan for User Manual & Installation Videos

[www.eviqtech.com/products/swigo\\_supersmart/](http://www.eviqtech.com/products/swigo_supersmart/)

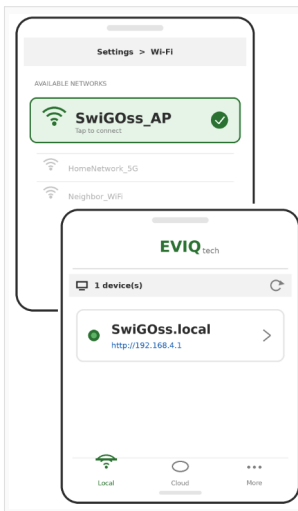


# SwiGO SuperSmart — Setting Up the Device for the First Time

IoT Switch with Power Sensor | Water Pumps · Motors · Heaters · Lighting & More

**Android Users:** Download the **EVIQtech** app from Google Play Store. The app provides BLE pairing, local control, and cloud access.

**iOS / iPhone / iPad Users:** Use any **web browser** (Safari, Chrome) to access the device. No app needed. iOS app coming soon.

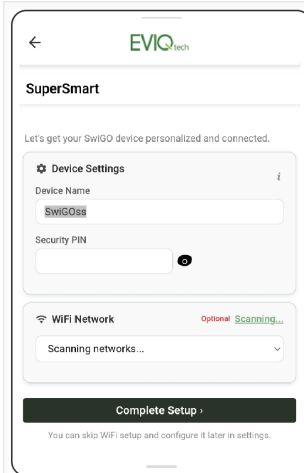


## 1 Power On & Connect to AP

Power on the device. Within ~60 seconds, it creates WiFi AP **SwiGOss\_AP**.

On your phone, go to **WiFi Settings**, connect to **SwiGOss\_AP**.

**Android:** Open EVIQtech app. Device appears as **SwiGOss.local** at 192.168.4.1.  
**iOS:** Open browser, go to <http://192.168.4.1>



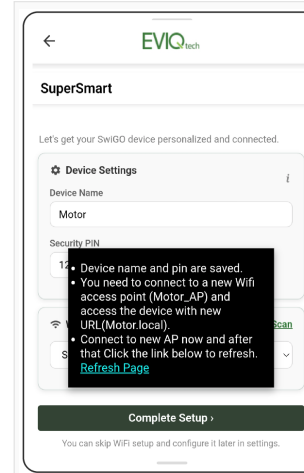
## 2 Initial Setup — Name & PIN

The **Initial Setup** page appears (first time only).

Enter a **Device Name** (e.g., "Motor") and set your **Security PIN** (e.g., "1234").

Optionally select your home **WiFi Network**.

Tap "**Complete Setup**".

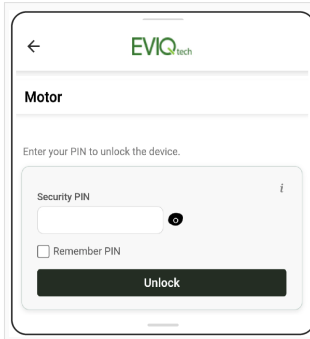


## 3 Reconnect to New AP

Confirmation appears: "Connect to new AP (**Motor\_AP**)."

On your phone, go to **WiFi Settings**, connect to **Motor\_AP**.

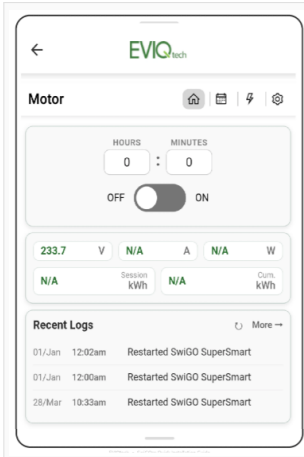
**Android:** Open EVIQtech app.  
**iOS:** Open browser, go to <http://192.168.4.1> or <http://motor.local>



## 4 Enter PIN & Unlock

Enter your **Security PIN** (set in Step 2) and tap "**Unlock**".

Check "**Remember PIN**" for convenience.



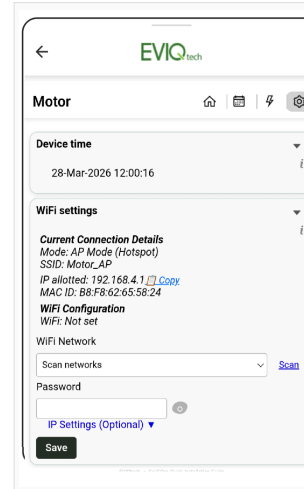
## 5 Dashboard & Control

The **home dashboard** appears:

**Voltage (V)**, **Current (A)**, **Power (W)**, **Energy (kWh)**

Set **timer duration** and switch load **ON / OFF**.

View **Recent Logs** for activity history.



## 6 Settings & Home WiFi (Optional)

Tap **Settings** icon (gear) to configure: Device name, PIN, WiFi, protection, float switch, schedules, master-remote.

**Home WiFi:** Settings → WiFi → Enter SSID & password → Save.

**Cloud:** Android app → BLE pairing (Green+Yellow 5s) → Enable Cloud.

Action	Buttons	Hold	Fault	LED	Timing	Model	P1	P2	P3	P4
BLE Pairing	Green + Yellow	5s	Dry-Run	1st+right RED 6s	4s confirm	EDS031	5m	10m	15m	20m
Parallel AP	Red	10s	Overload	2nd+right RED 6s	4s confirm	EDS032	15m	30m	45m	60m
WiFi Reset	Violet + Red	10s	Low Voltage	3rd+right RED	7s trip	EDS033	1h	2h	3h	4h
Factory Reset	Yellow+Blue+Red	20s	Over Voltage	4th+right RED	7s trip	EDS034	4h	8h	12h	16h

**WARNING: Factory reset erases ALL settings. | Full User Manual at [www.eviqtech.com](http://www.eviqtech.com)**